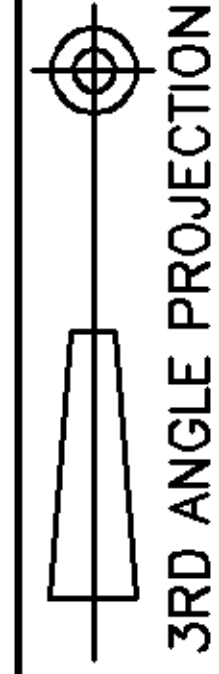


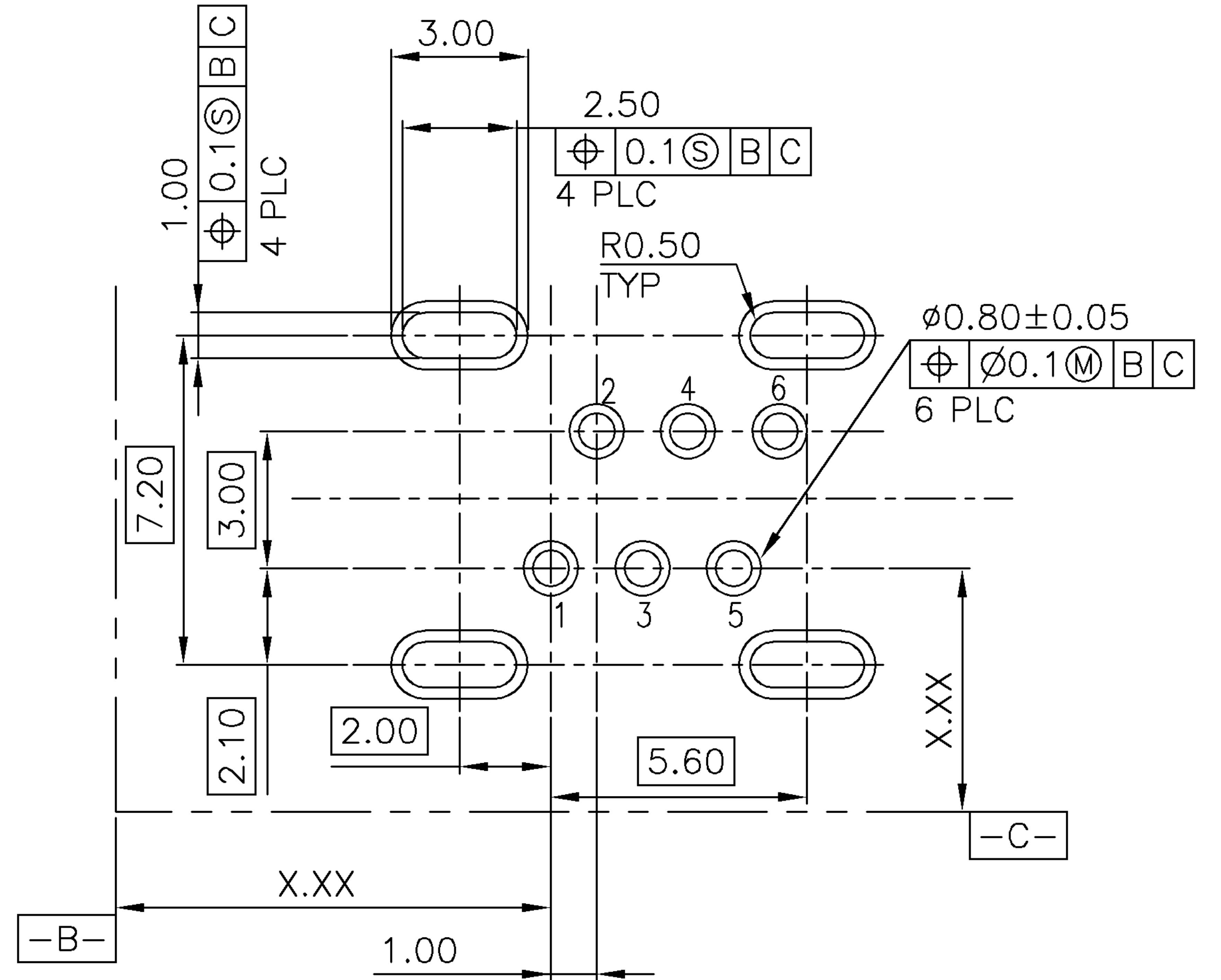
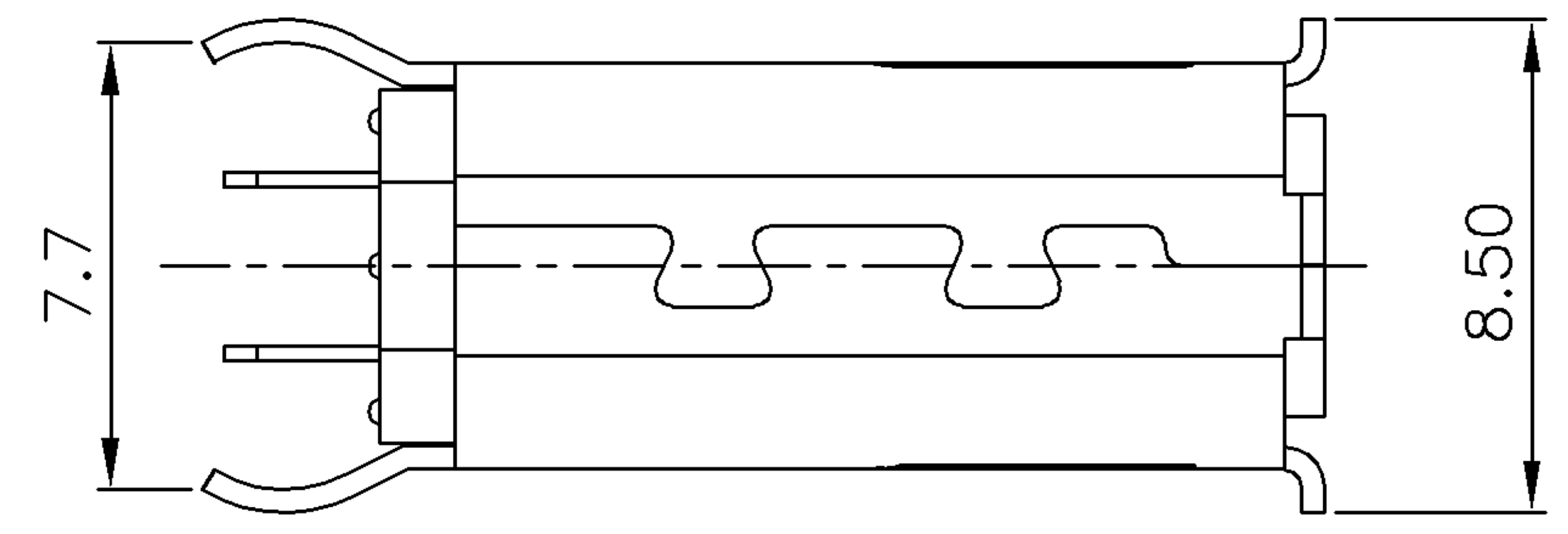
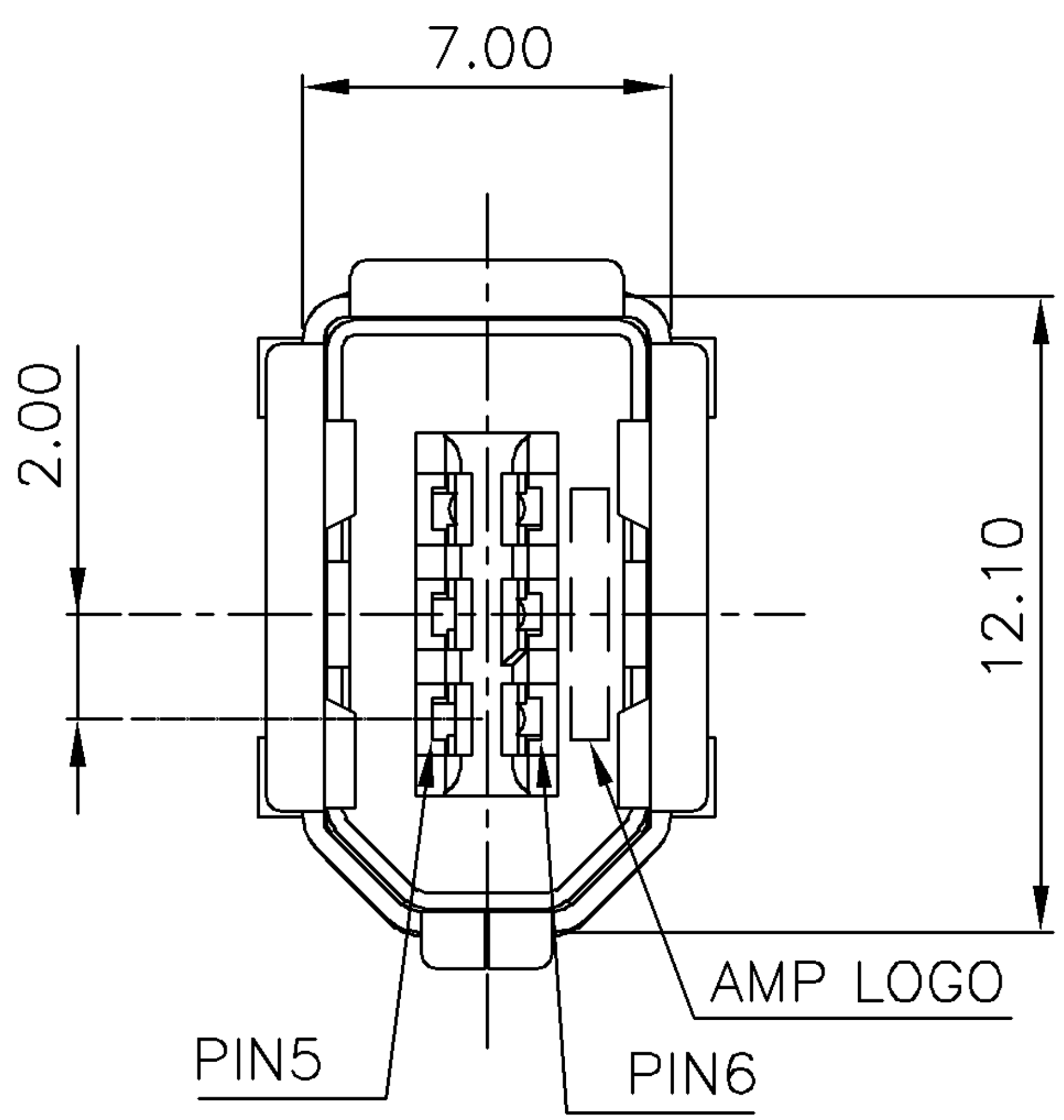
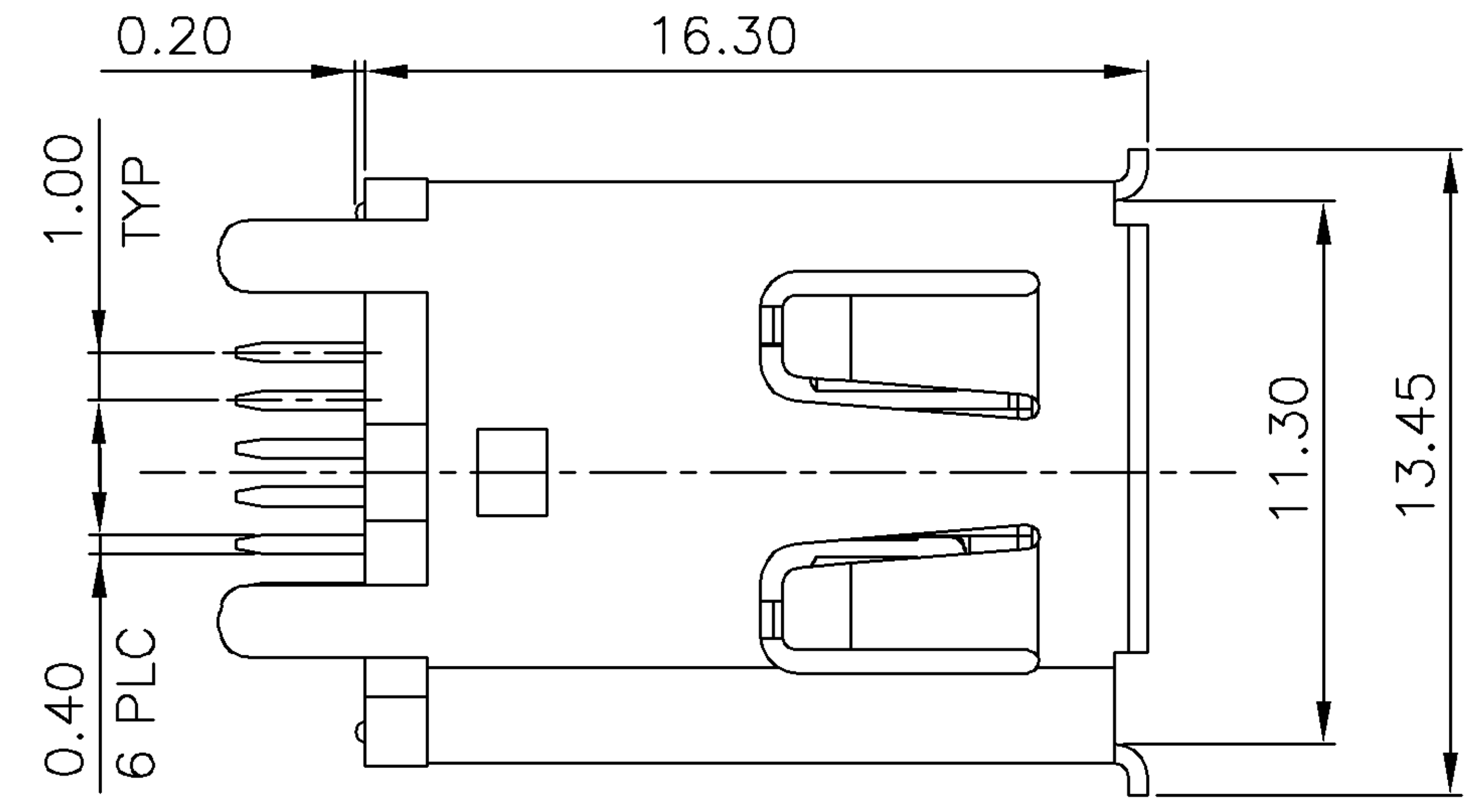
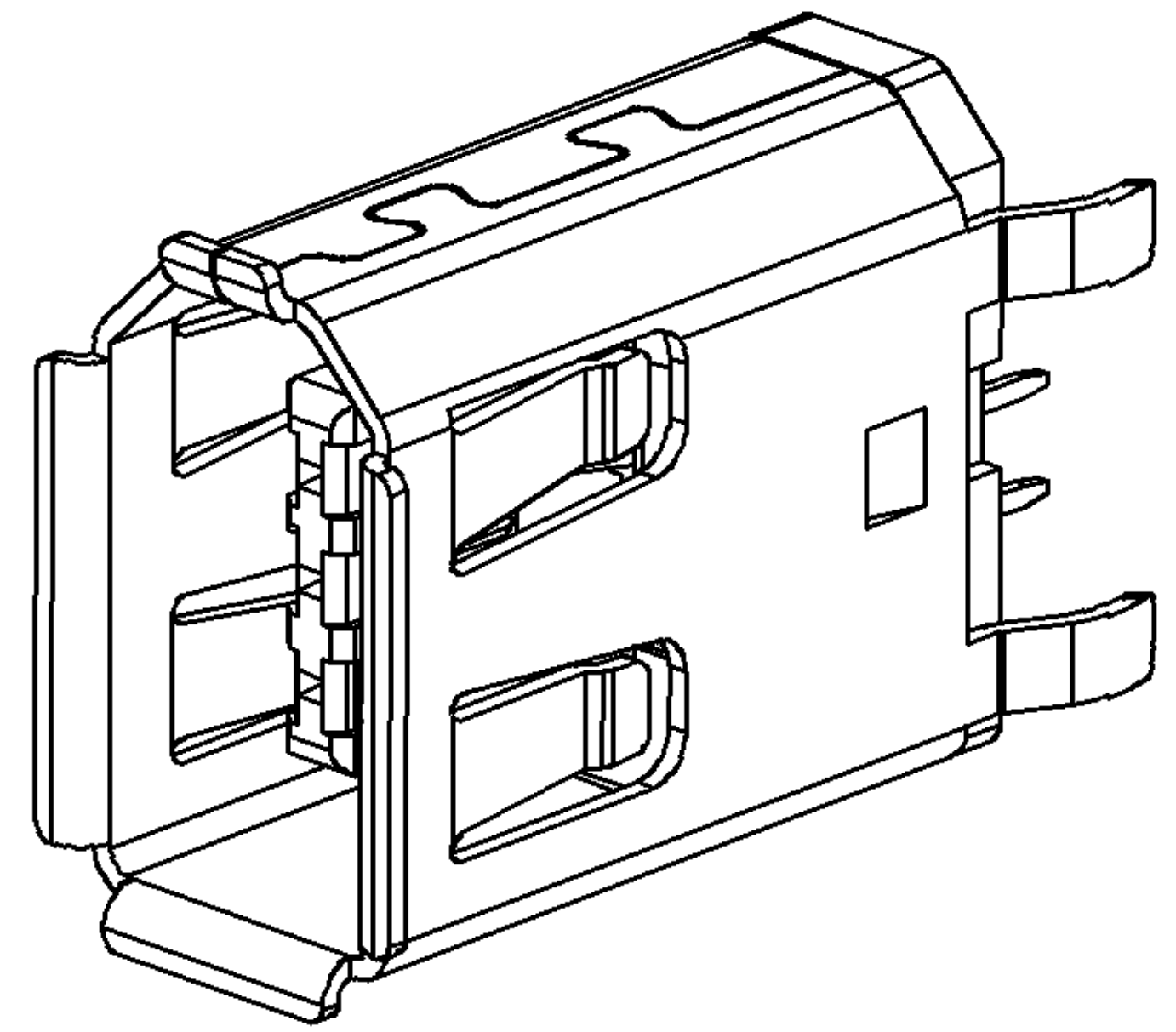
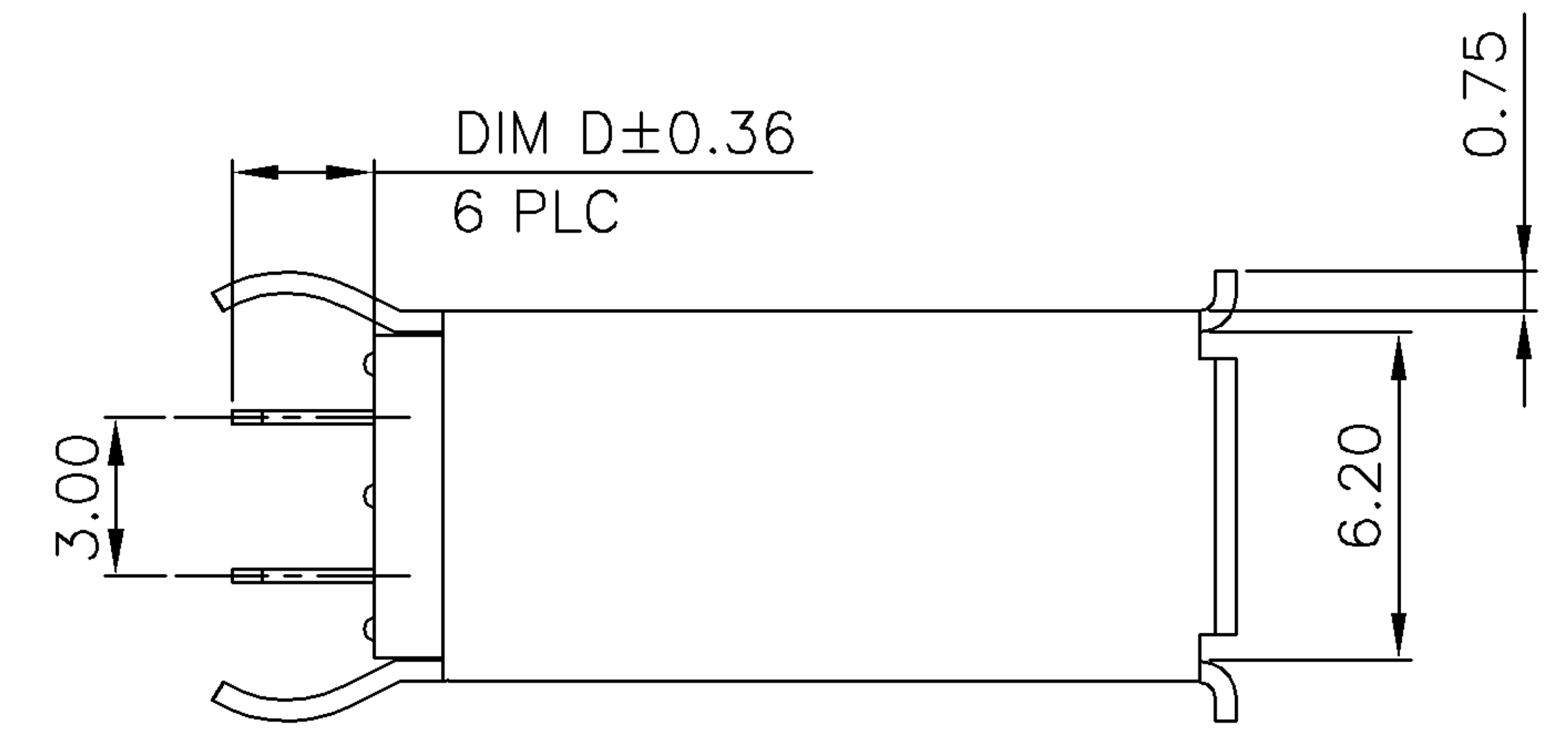
THIS INFORMATION IS CONFIDENTIAL AND IS DISCLOSED TO YOU ON CONDITION THAT NO FURTHER DISCLOSURE IS MADE BY YOU TO OTHER THAN AMP PERSONNEL WITHOUT WRITTEN AUTHORIZATION FROM AMP (TAIWAN) LTD. DIMENSIONS IN MILLIMETERS. DO NOT SCALE PRINT.

PRINT DIST  
DW

METRIC



NUMBER  
C-1734290



RECOMMENDED PCB LAYOUT

NOTES:

- MATERIAL:  
HOUSING : THERMOPLASTIC HIGH TEMP., UL94V-0, COLOR: BLACK  
CONTACT : BRASS, THICKNESS=0.25mm.  
SHELL : PHOSPHOR BRONZE, THECKNESS=0.40mm.
- FINISH :  
CONTACT : 30u" MIN. GOLD PLATED ON CONTACT AREA, 100u" MIN. TIN-Cu PLATING ON SOLDERTAILS, 50u" MIN. NICKEL UNDERPLATED ALL OVER.  
SHELL : 120u" MIN NICKEL PLATED ALL OVER 100u" MIN. Cu UNDERPLATED ALL OVER.
- REFLOW SOLDER CAPABLE TO 260°C PER TYCO SPEC 109-201, CONDITION B.

3.18	1734290-2
2.69	1734290-1
DIM D	PART NUMBER

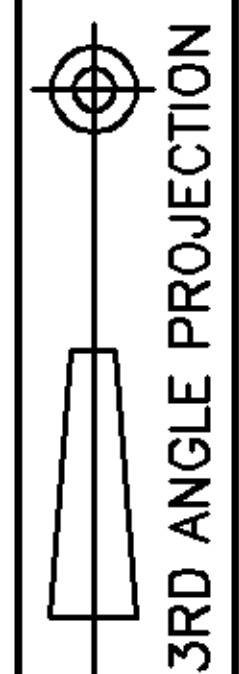
TOLERANCES UNLESS OTHERWISE SPECIFIED: 0 PLC ± 0.38 1 PLC ± 0.25 2 PLC ± 0.13 3 PLC ± 0.05 ANGLES ± 3'	DWN	O. HU	 TYCO HOLDINGS (BERMUDA) VII LTD. TAIWAN BRANCH			
		23-DEC-2005				
MATERIAL  SEE NOTE	CHK	S. HOU	NAME  IEEE 1394, RCPT, 6P VERTICAL, T/H			
		23-DEC-2005				
FINISH  SEE NOTE	APVD	W.J. KE	LOC DW <b>A</b> <sub>3</sub>			
		23-DEC-2005				
	PRODUCT SPEC	108-57599	DRAWING NO	C-1734290	REV	O
	QUALIFICATION TEST REPORT	501-57651	SCALE	--	SHEET	1 OF 2
	WEIGHT	2.62 gram				

O	FIRST RELEASED		OH SH	25DEC 2005
LTR	REVISION RECORD	ECN	DWN CHK	DATE

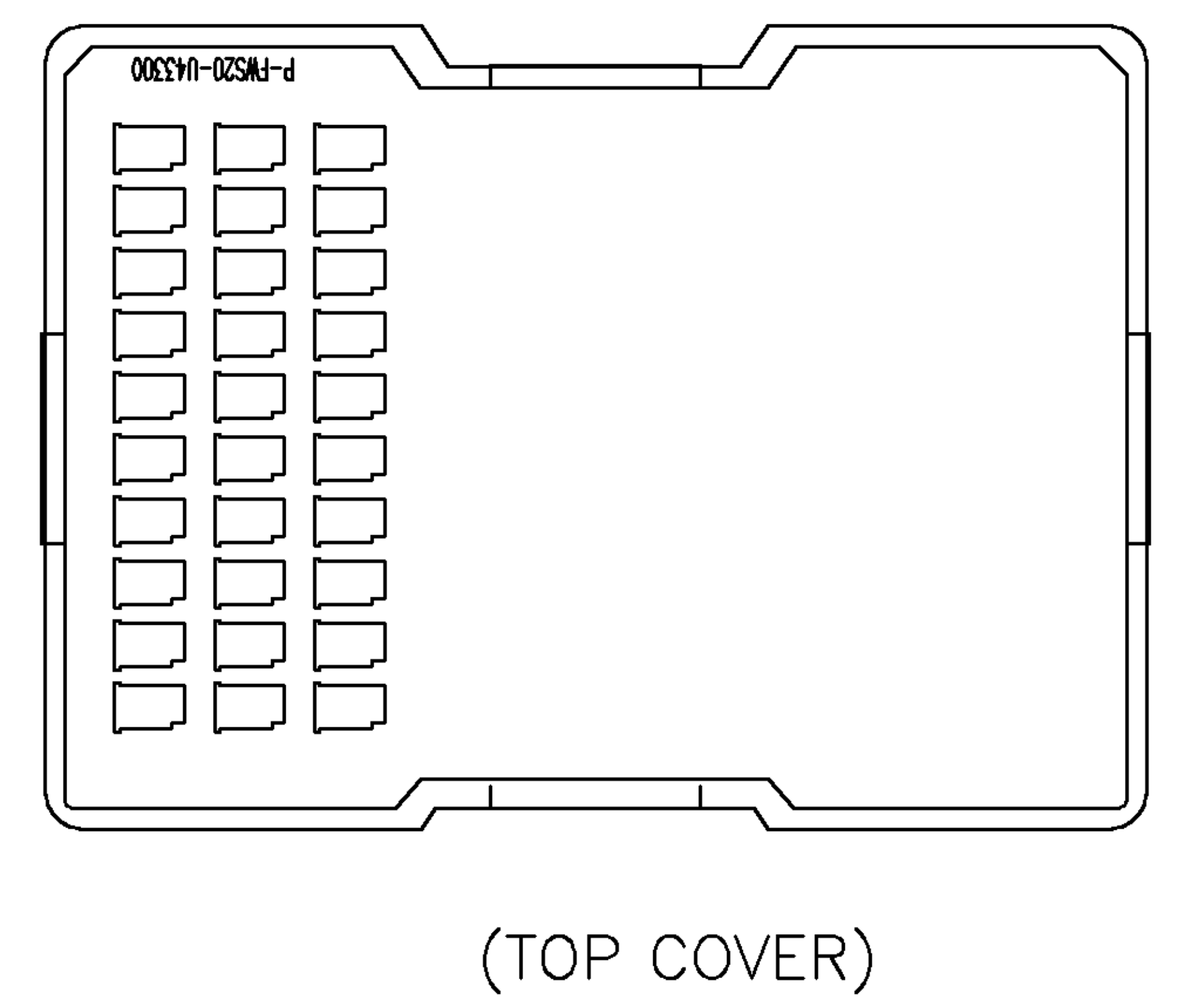
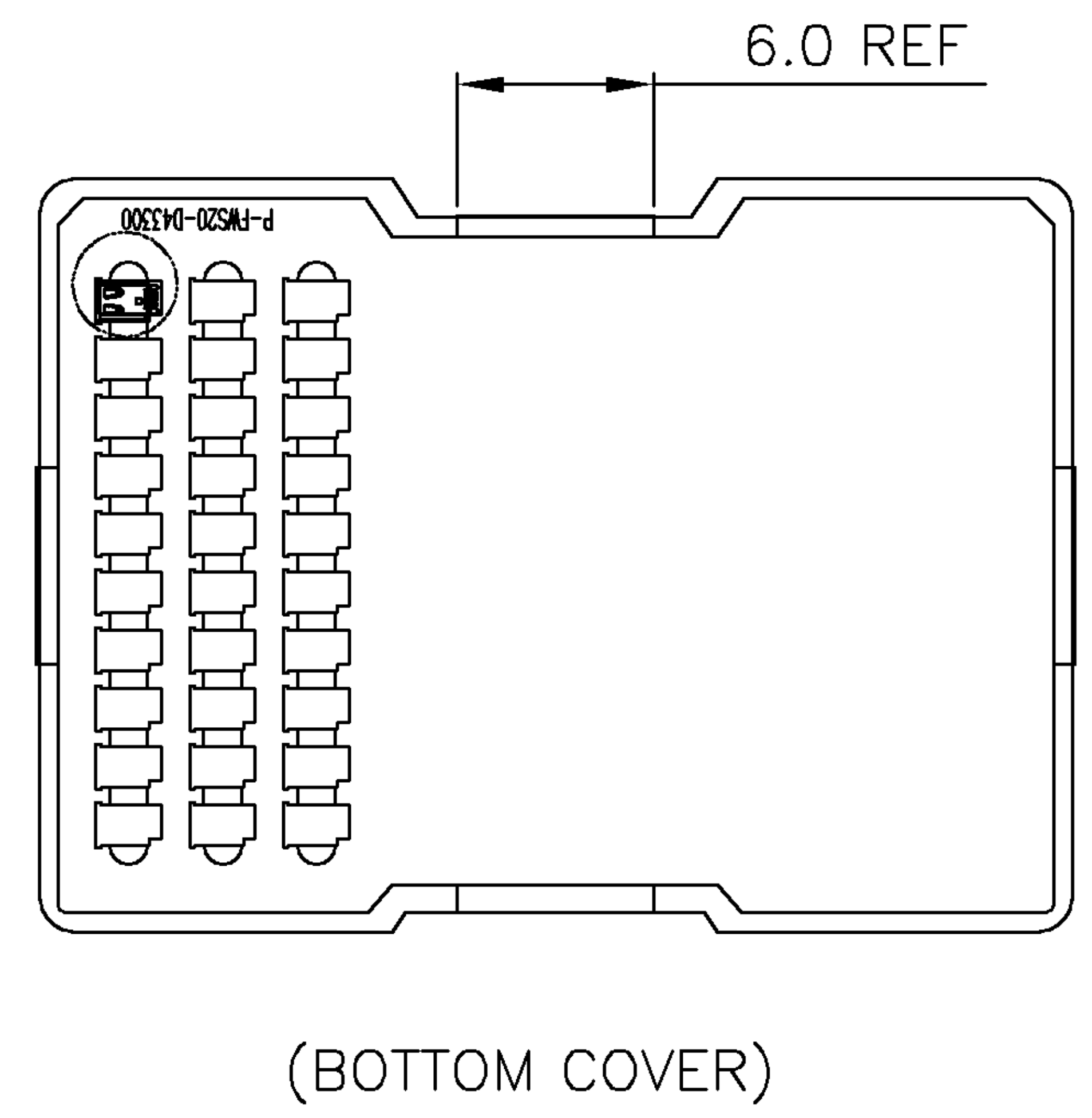
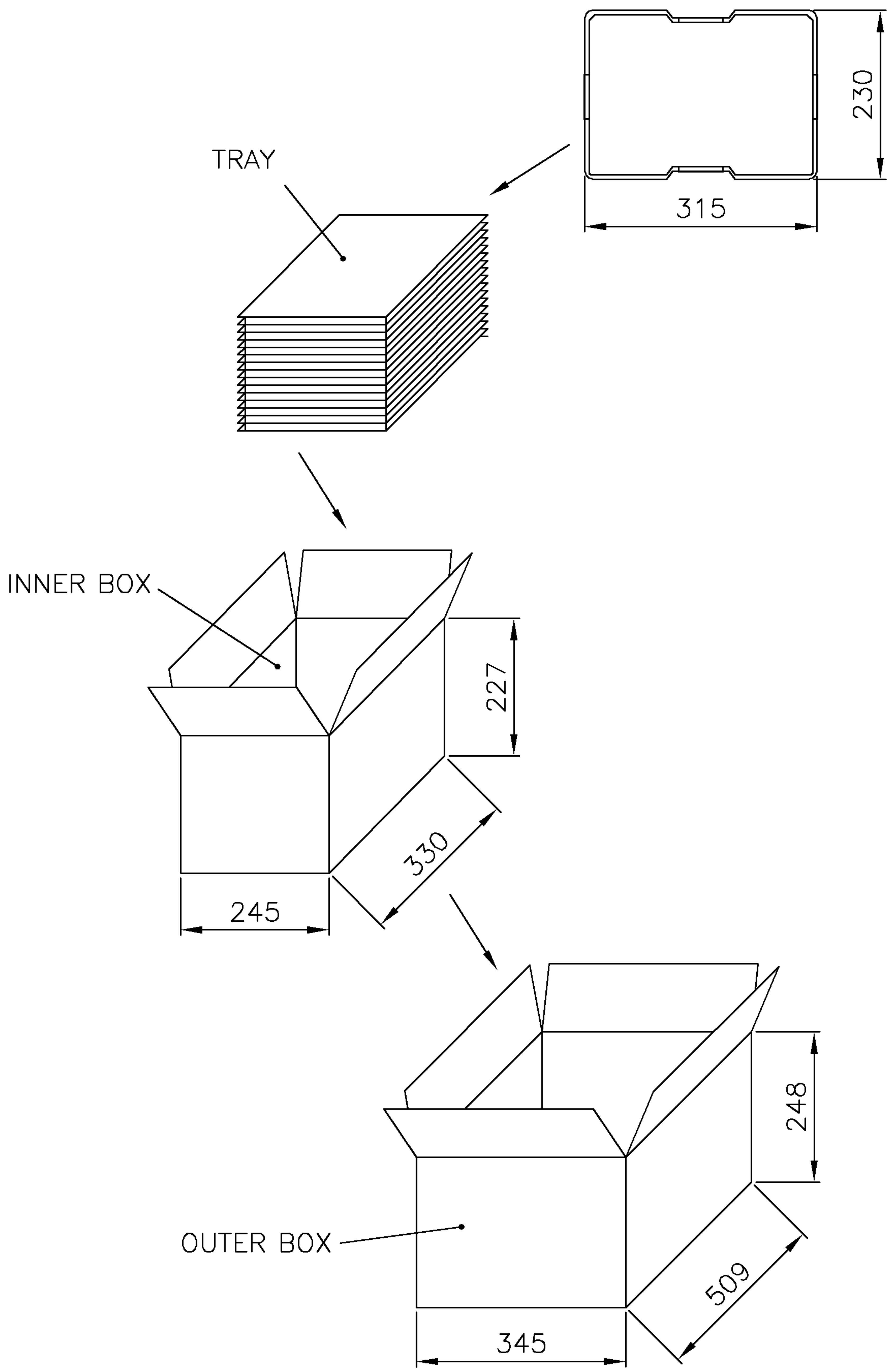
THIS INFORMATION IS CONFIDENTIAL AND IS DISCLOSED TO YOU ON CONDITION THAT NO FURTHER DISCLOSURE IS MADE BY YOU TO OTHER THAN AMP PERSONNEL WITHOUT WRITTEN AUTHORIZATION FROM AMP (TAIWAN) LTD. DIMENSIONS IN MILLIMETERS. DO NOT SCALE PRINT.

PRINT DIST  
DW

METRIC



NUMBER  
C-1734290



15.0	14.0	4000	20	100
N.W(KGS)	N.W(KGS)	PACKAGING QTY'S/ OUTER BOX	TRAYS/ INNER BOX	PCS/ TRAY
TOLERANCES UNLESS OTHERWISE SPECIFIED: 0 PLC ± 1 PLC ± 2 PLC ± 3 PLC ± ANGLES ±		DWN O. HU 23-DEC-2005	TYCO HOLDINGS (BERMUDA) VII LTD. TAIWAN BRANCH	
MATERIAL  SEE SHEET 1.		APVD W.J. KE 23-DEC-2005	IEEE 1394, RCPT, 6P VERTICAL, T/H	
FINISH  SEE SHEET 1.		QUALIFICATION TEST REPORT	LOC DW	SIZE <b>A<sub>3</sub></b>
LTR		REVISION RECORD	ECN	DWN CHK
DATE		DRAWING NO C-1734290		REV O
WEIGHT			SCALE --	SHEET 2 OF 2

SEE SHEET 1.	ECN	DWN	CHK	DATE
LTR	REVISION RECORD	ECN	DWN	CHK